

SAMATI

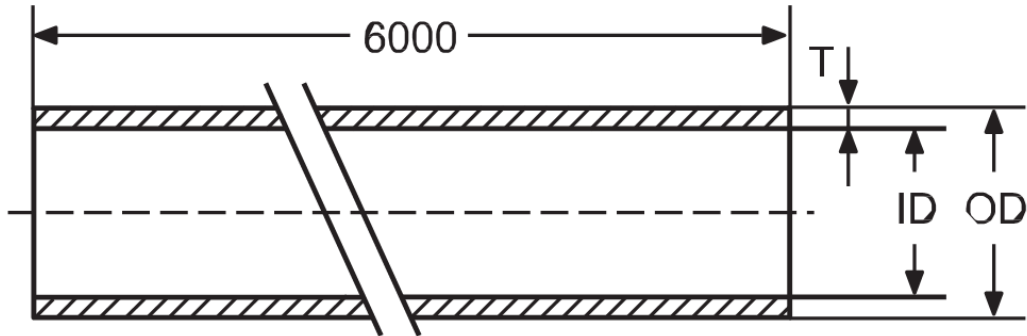
## Contents

TUBING .....	3
Round Tubing.....	3
Square Tubing 304.....	4
Polycarbonate Tubing .....	4
DIN FITTINGS .....	5
DIN Male.....	5
DIN Nut.....	6
DIN Gaskets .....	6
DIN Liner .....	7
C-Spanner .....	7
BENDS, TEES & REDUCERS .....	8
90° Bends.....	8
Equal Tee .....	9
Pull Out Tee .....	10
Hose tails Weld-On .....	10
Concentric Reducer Metric .....	11
Concentric Reducer Inches .....	12
Eccentric Reducer Metric.....	12
Tri-clover Fittings .....	13
Tri-clover Ferrule 316 .....	13
Tri-clover Gasket EPDM .....	13
Tri-clover Clamp 304L .....	13
BSP.....	14
Hexagon BSP Ball Valve 316.....	15
BSP 900 Elbow 316 .....	15
BSP Square Plug 316 .....	16
BSP Barrel Nipple 316 .....	16
BSP TEE 316 .....	16
BSP Reducing Bush 316.....	17
BSP Socket 316 .....	17
BSP Swage Nipple316 .....	18
BSP Union 316 .....	18
SAVATI VALVES .....	19
SAVATI Aseptic Sample Valve Weld-On 316 .....	19
SAVATI Non-Return Valves Weld-On 316 .....	19

Cape Town: 021 531 6646  
Durban: 031 912 3790  
Edenvale: 011 452 1920

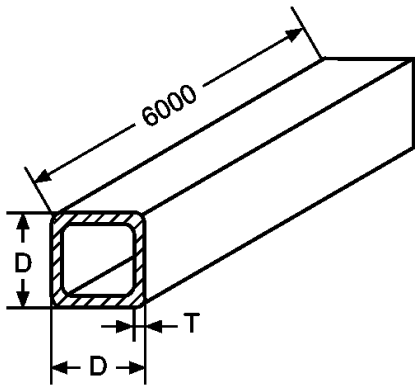
SAVATI Sample Cock .....	19
SAVATI Gauge Cock TOP .....	19
SAVATI Gauge Cock Bottom .....	19
<b>SÜDMO VALVES</b> .....	20
Südmo Butterfly Valves Male Weld-On .....	20
Südmo Actuator .....	20
Südmo Handle .....	20
Südmo Butterfly Valves Weld-On .....	21
Südmo Butterfly Valve Seals .....	22
<b>Trelleborg Hoses</b> .....	23
ALIKLER D .....	23
ALIKLER D Hose .....	23

TUBING



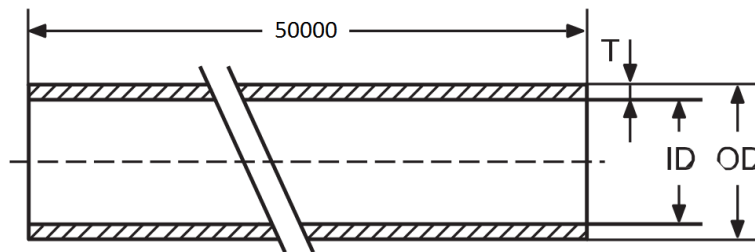
Round Tubing

Code		Size	OD (mm)	ID (mm)	T (mm)	Mass (kg)
304L	316					
<b>9000010</b>	<b>9020010</b>	NW10	12	9	1	
<b>9000015</b>	<b>9020015</b>	NW15	18	16	1	
<b>9000020</b>	<b>9020020</b>	NW20	22	20	1	
<b>9001020</b>		NW20	22	19	1.5	4.61
<b>9001025</b>	<b>9021025</b>	NW25	28	25	1.5	5.96
<b>9001032</b>	<b>9021032</b>	NW32	34	31	1.5	7.3
<b>9001040</b>	<b>9021040</b>	NW40	40	37	1.5	8.65
<b>9001050</b>	<b>9021050</b>	NW50	52	49	1.5	11.57
<b>9002065</b>	<b>9022065</b>	NW65	70	66	2	20.38
<b>9002080</b>	<b>9022080</b>	NW80	85	81	2	24.87
<b>9002100</b>	<b>9022100</b>	NW100	104	100	2	30.56
<b>9002125</b>	<b>9022125</b>	NW125	129	125	2	38.05
<b>9002150</b>	<b>9022150</b>	NW150	154	150	2	45.55
<b>9002200</b>		NW200	204	200	2	60.53
<b>9014019</b>		¾"	19.05	16.05	1.5	3.93
<b>9014025</b>	<b>9034025</b>	1"	25.4	22.4	1.5	5.37
<b>9014033</b>	<b>9034033</b>	1 ¼"	31.8	28.8	1.5	6.81
<b>9014038</b>	<b>9034038</b>	1 ½"	38.1	35.1	1.5	8.23
<b>9014051</b>	<b>9034051</b>	2"	50.8	47.8	1.5	11.08
<b>9014063</b>	<b>9034063</b>	2 ½"	63.5	60.5	1.5	14.84
<b>9014076</b>	<b>9034076</b>	3"	76.2	73.2	1.5	17.88
<b>9014101</b>	<b>9034101</b>	4"	101.6	98.6	1.5	29.84



**Square Tubing 304**

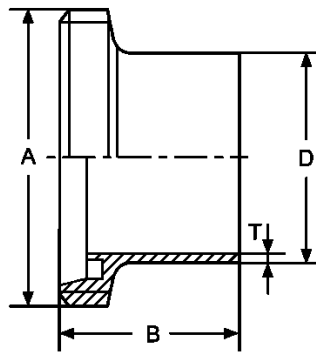
Code	D (mm)	T (mm)
<b>9121025</b>	25	1.5
<b>9121040</b>	40	1.5
<b>9121050</b>	50	1.5



**Polycarbonate Tubing**

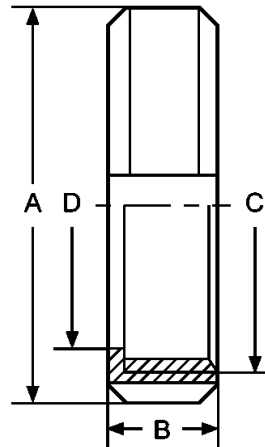
Code	Size	OD (mm)	ID (mm)	T (mm)
<b>9171012</b>	1/2"	12.5	9.5	1.5
<b>9171019</b>	3/4"	20	17	1.5
<b>9171025</b>	1"	25	22	1.5

DIN FITTINGS



DIN Male

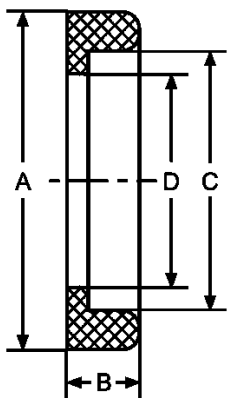
Code		Size	D (mm)	T (mm)	A (mm)	B (mm)	Mass (kg)
304L	316						
<b>1800010</b>	<b>1802010</b>	NW10	12-13	1.5	Rd28 x 1/8"	21	0.04
<b>1800015</b>	<b>1802015</b>	NW15	18-19	1.5	Rd34 x 1/8"	21	0.05
<b>1800020</b>	<b>1802020</b>	NW20	22-23	1.5	Rd44 x 1/6"	24	0.09
<b>1800025</b>	<b>1802025</b>	NW25	28-29	1.5	Rd52 x 1/6"	29	0.12
<b>1800032</b>	<b>1802032</b>	NW32	34-35	1.5	Rd58 x 1/6"	32	0.14
<b>1800040</b>	<b>1802040</b>	NW40	40-41	1.5	Rd65 x 1/6"	33	0.17
<b>1800050</b>	<b>1802050</b>	NW50	52-53	1.5	Rd78 x 1/6"	35	0.24
<b>1800065</b>	<b>1802065</b>	NW65	70	2	Rd95 x 1/6"	40	0.36
<b>1800080</b>	<b>1802080</b>	NW80	85	2	Rd110 x 1/4"	45	0.52
<b>1800100</b>	<b>1802100</b>	NW100	104	2	Rd130 x 1/4"	54	0.71
<b>1800125</b>	<b>1802125</b>	NW125	129	2	Rd160 x 1/4"	46	1.02
<b>1800150</b>		NW150	154	2	Rd190 x 1/4"	50	1.71
<b>1801025</b>		1"	25.4	1.5	Rd52 x 1/6"	29	
<b>1801033</b>		1 1/4"	31.8	1.5	Rd58 x 1/6"	32	
<b>1801038</b>		1 1/2"	38.1	1.5	Rd65 x 1/6"	33	
<b>1801051</b>		2"	50.8	1.5	Rd78 x 1/6"	35	
<b>1801063</b>		2 1/2"	63.5	2	Rd95 x 1/6"	40	
<b>1801076</b>		3"	76.1	2	Rd110 x 1/4"	45	
<b>1801101</b>		4"	101.6	2	Rd130 x 1/4"	54	



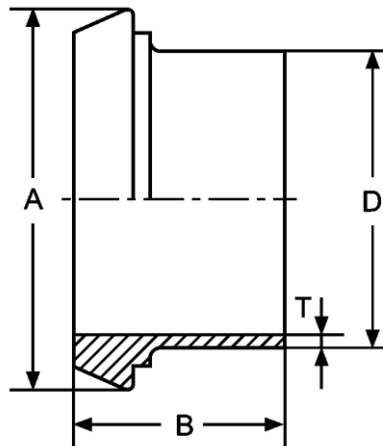
**DIN Nut**

Code	Size	Size	D (mm)	A (mm)	B (mm)	C (mm)	Mass (kg)
<b>1100010</b>	NW10		19	38	18	Rd28 x 1/8"	0.07
<b>1100015</b>	NW15		25	44	18	Rd34 x 1/8"	0.08
<b>1100020</b>	NW20		31	54	20	Rd44 x 1/6"	0.13
<b>1100025</b>	NW25	1"	36	63	21	Rd52 x 1/6"	0.18
<b>1100032</b>	NW32	1 1/4"	42	70	21	Rd58 x 1/6"	0.22
<b>1100040</b>	NW40	1 1/2"	49	78	21	Rd65 x 1/6"	0.25
<b>1100050</b>	NW50	2"	62	92	22	Rd78 x 1/6"	0.34
<b>1100065</b>	NW65	2 1/2"	80	112	25	Rd95 x 1/6"	0.55
<b>1100080</b>	NW80	3"	94	127	29	Rd110 x 1/4"	0.81
<b>1100100</b>	NW100	4"	115	148	31	Rd130 x 1/4"	1.09
<b>1100125</b>	NW125		138	178	35	Rd160 x 1/4"	1.45
<b>1100150</b>	NW150		164	210	40	Rd190 x 1/4"	1.88

**DIN Gaskets**

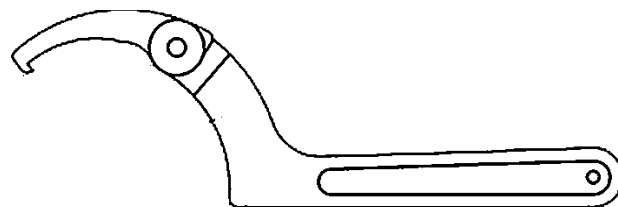


Code		Size	D	A	B	C	Mass
NBR	EPDM		(mm)	(mm)	(mm)	(mm)	(kg)
<b>1133010</b>	<b>1131010</b>	NW10	10	20	4.5	12	0.002
<b>1133015</b>	<b>1131015</b>	NW15	16	26	4.5	18	0.005
<b>1133020</b>	<b>1131020</b>	NW20	20	33	4.5	23	0.005
<b>1133025</b>	<b>1131025</b>	NW25	26	40	5	30	0.007
<b>1133032</b>	<b>1131032</b>	NW32	32	46	5	36	0.012
<b>1133040</b>	<b>1131040</b>	NW40	38	52	5	42	0.012
<b>1133050</b>	<b>1131050</b>	NW50	50	64	5	54	0.018
<b>1133065</b>	<b>1131065</b>	NW65	66.5	81	5	71	0.021
<b>1133080</b>	<b>1131080</b>	NW80	81.5	95	5	85	0.024
<b>1133100</b>	<b>1131100</b>	NW100	100.5	114	6	104	0.027
<b>1133125</b>	<b>1131125</b>	NW125	125	142	7	130	0.036
<b>1133150</b>	<b>1131150</b>	NW150	150	167	7	155	0.042



DIN Liner

Code		Size	D (mm)	T (mm)	A (mm)	B (mm)	Mass (kg)
304l	316						
<b>1810010</b>	<b>1812010</b>	NW10	12-13	1.5	22	17	0.02
<b>1810015</b>	<b>1812015</b>	NW15	18-19	1.5	28.5	17	0.03
<b>1810020</b>	<b>1812020</b>	NW20	22-23	1.5	36.5	18	0.06
<b>1810025</b>	<b>1812025</b>	NW25	28-29	1.5	44	22	0.09
<b>1810032</b>	<b>1812032</b>	NW32	34-35	1.5	50	25	0.11
<b>1810040</b>	<b>1812040</b>	NW40	40-41	1.5	56	26	0.13
<b>1810050</b>	<b>1812050</b>	NW50	52-53	1.5	68.5	28	0.19
<b>1810065</b>	<b>1812065</b>	NW65	70	2	86	32	0.31
<b>1810080</b>	<b>1812080</b>	NW80	85	2	100	37	0.38
<b>1810100</b>	<b>1812100</b>	NW100	104	2	121	44	0.61
<b>1810125</b>	<b>1812125</b>	NW125	129	2	150	34	0.81
<b>1810150</b>		NW150	154	2	176	37	1.04
<b>1811025</b>		1"	25.4	1.5	44	22	
<b>1811038</b>		1½"	38.1	1.5	56	26	
<b>1811051</b>		2"	50.8	1.5	68.5	28	
<b>1811063</b>		2½"	63.5	2	86	32	
<b>1811076</b>		3"	76.1	2	100	37	
<b>1811101</b>		4"	101.6	2	121	44	

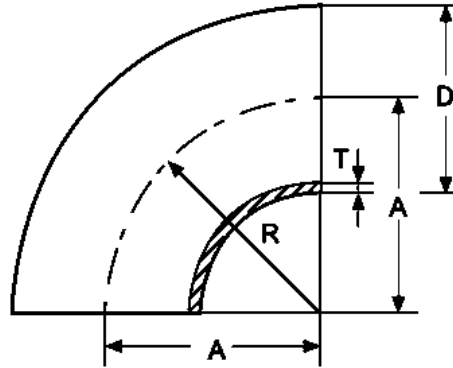


C-Spanner

Code	Size
<b>8900025</b>	NW10-40
<b>8900050</b>	NW50-100
<b>8900150</b>	NW125-150

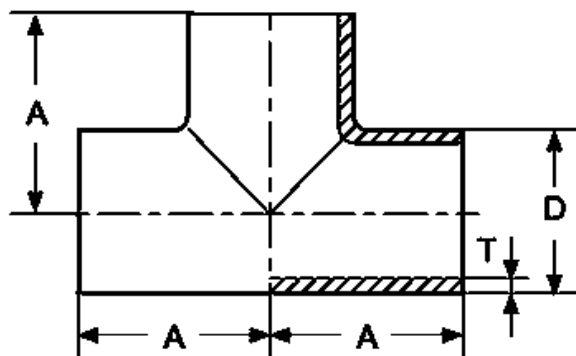


## BENDS, TEES & REDUCERS



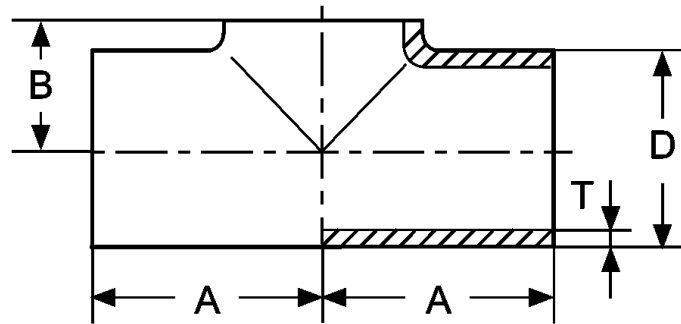
### 90° Bends

Code		Size	D (mm)	T (mm)	A (mm)	R (mm)	Mass (kg)
304L	316						
<b>2180010</b>	<b>2182010</b>	NW10	12-13	1.5	26	26	
<b>2180015</b>	<b>2182015</b>	NW15	18-19	1.5	35	35	
<b>2180020</b>	<b>2182020</b>	NW20	22-23	1.5	40	40	
<b>2180025</b>	<b>2182025</b>	NW25	28-29	1.5	50	50	
<b>2180032</b>	<b>2182032</b>	NW32	34-35	1.5	55	55	
<b>2180040</b>	<b>2182040</b>	NW40	40-41	1.5	60	60	
<b>2180050</b>	<b>2182050</b>	NW50	52	1.5	70	70	
<b>2180065</b>	<b>2182065</b>	NW65	70	2	80	80	
<b>2180080</b>	<b>2182080</b>	NW80	85	2	90	90	
<b>2180100</b>	<b>2182100</b>	NW100	104	2	100	100	
<b>2180125</b>	<b>2182125</b>	NW125	129	2	187.5	187.5	
<b>2180150</b>	<b>2182150</b>	NW150	154	2	225	225	
<b>2181019</b>	<b>2183019</b>	¾"					
<b>2181025</b>	<b>2183025</b>	1"	25.4	1.5	33.5	33.5	0.05
<b>2181033</b>	<b>2183033</b>	1 ¼"	31.8	1.5	38	38	0.07
<b>2181038</b>	<b>2183038</b>	1 ½"	38.1	1.5	48.5	48.5	0.11
<b>2181051</b>	<b>2183051</b>	2"	50.8	1.5	60.5	60.5	0.19
<b>2181063</b>	<b>2183063</b>	2 ½"	63.5	2	83.5	83.5	0.37
<b>2181076</b>	<b>2183076</b>	3"	76.1	2	88.5	88.5	0.43
<b>2181101</b>	<b>2183101</b>	4"	101.6	2	127	127	0.93



Equal Tee

Code		Size	D (mm)	T (mm)	A (mm)	Mass (kg)
304L	316					
<b>3560010</b>	<b>3562010</b>	NW10	12-13	1.5	26	
<b>3560015</b>	<b>3562015</b>	NW15	18-19	1.5	35	
<b>3560020</b>	<b>3562020</b>	NW20	22-23	1.5	40	
<b>3560025</b>	<b>3562025</b>	NW25	28-29	1.5	50	
<b>3560032</b>	<b>3562032</b>	NW32	34-35	1.5	55	
<b>3560040</b>	<b>3562040</b>	NW40	40-41	1.5	60	
<b>3560050</b>	<b>3562050</b>	NW50	52	1.5	70	
<b>3560065</b>	<b>3562065</b>	NW65	70	2	80	
<b>3560080</b>	<b>3562080</b>	NW80	85	2	90	
<b>3560100</b>	<b>3562100</b>	NW100	104	2	100	
<b>3560125</b>	<b>3562125</b>	NW125	129	2	187.5	
<b>3560150</b>	<b>3562150</b>	NW150	154	2	225	
<b>3561019</b>		3/4"				
<b>3561025</b>		1"	25.4	1.5	33.5	0.07
<b>3561033</b>		1 1/4"	31.8	1.5	38	0.10
<b>3561038</b>		1 1/2"	38.1	1.5	48.5	0.16
<b>3561051</b>		2"	50.8	1.5	60.5	0.29
<b>3561063</b>		2 1/2"	63.5	2	83.5	0.59
<b>3561076</b>		3"	76.1	2	88.5	0.75
<b>3561101</b>		4"	101.6	2	127	1.43



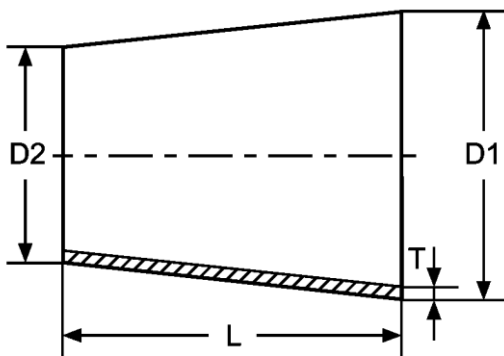
Pull Out Tee

Code 304L	Size	D (mm)	T (mm)	A (mm)	B (mm)	Mass (kg)
<b>3570020</b>	NW20	22-23	1.5	40	12.5	
<b>3570025</b>	NW25	28-29	1.5	50	16	
<b>3570032</b>	NW32	34-35	1.5	55	19	
<b>3570040</b>	NW40	40-41	1.5	60	23	
<b>3570050</b>	NW50	52	1.5	70	29.5	
<b>3570065</b>	NW65	70	2	80	39	
<b>3570080</b>	NW80	85	2	90	46.5	
<b>3570100</b>	NW100	104	2	100	56	
<b>3571025</b>	1"	25.4	1.5	33.5	14.5	0.07
<b>3571033</b>	1 ¼"	31.8	1.5	38	19	0.10
<b>3571038</b>	1 ½"	38.1	1.5	48.5	22	0.16
<b>3571051</b>	2"	50.8	1.5	60.5	28.5	0.29
<b>3571063</b>	2 ½"	63.5	2	83.5	35	0.59
<b>3571076</b>	3"	76.1	2	88.5	41.5	0.75
<b>3571101</b>	4"	101.6	2	127	54.5	1.43

Hose tails Weld-On

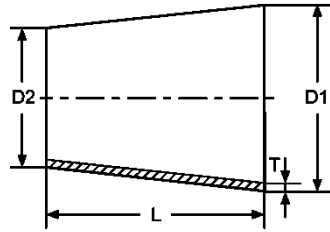


Code	Size
<b>1691019</b>	¾"
<b>1691025</b>	1"
<b>1691032</b>	1¼"
<b>1691038</b>	1½"
<b>1691051</b>	2"
<b>1691063</b>	2½"
<b>1691076</b>	3"
<b>1691101</b>	4"



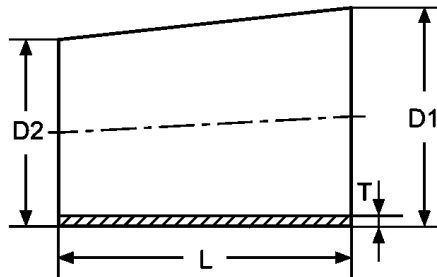
Concentric Reducer Metric

Code		Size	D <sub>1</sub> (mm)	D <sub>2</sub> (mm)	T (mm)	L (mm)
304L	316					
<b>1580015</b>		NW15-10	18-19	12-13	1.5	22
<b>15800201</b>		NW20-10	22-23	12-13	1.5	22
<b>1580020</b>		NW20-15	22-23	18-19	1.5	24
<b>15800252</b>		NW25-10	28-29	12-13	1.5	22
<b>15800251</b>		NW25-15	28-29	18-19	1.5	24
<b>1580025</b>		NW25-20	28-29	22-23	1.5	24
<b>15800321</b>		NW32-20	34-35	22-23	1.5	24
<b>1580032</b>	<b>1582032</b>	NW32-25	34-35	28-29	1.5	24
<b>15800402</b>		NW40-20	40-41	22-23	1.5	34.5
<b>15800401</b>	<b>15820401</b>	NW40-25	40-41	28-29	1.5	24
<b>1580040</b>	<b>1582040</b>	NW40-32	40-41	34-35	1.5	24
<b>15800504</b>		NW50-15	52-53	18-19	1.5	
<b>15800503</b>		NW50-20	52-53	22-23	1.5	
<b>15800502</b>	<b>15820502</b>	NW50-25	52-53	28-29	1.5	46
<b>15800501</b>	<b>15820501</b>	NW50-32	52-53	34-35	1.5	34.5
<b>1580050</b>	<b>1582050</b>	NW50-40	52-53	40-41	1.5	22
<b>15800653</b>		NW65-25	70	28-29	2	80
<b>15800652</b>		NW65-32	70	34-35	2	97-69
<b>15800651</b>		NW65-40	70	40-41	2	55.5-57.5
<b>1580065</b>	<b>1582065</b>	NW65-50	70	52-53	2	32-33
<b>15800802</b>		NW80-40	85	40-41	2	84.5-86
<b>15800801</b>		NW80-50	85	52-53	2	61.5-63
<b>1580080</b>	<b>1582080</b>	NW80-65	85	70	2	28
<b>15801002</b>		NW100-50	104	52-53	2	98-99.5
<b>15801001</b>	<b>1521001</b>	NW100-65	104	70	2	65
<b>1580100</b>	<b>15821000</b>	NW100-80	104	85	2	35
<b>15801253</b>		NW125-80	129	85	2	85
<b>1580125</b>		NW125-100	129	104	2	46
<b>15801503</b>		NW150-80	154	85	2	133
<b>15801501</b>		NW150-100	154	104	2	96
<b>1580150</b>		NW150-125	154	129	2	46
<b>15801201</b>		NW200-100	204	104	2	191
<b>15801202</b>		NW200-125	204	129	2	144
<b>15801203</b>		NW200-150	204	154	2	96



Concentric Reducer Inches

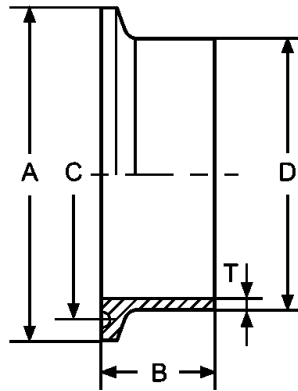
Code 304L	Size	D <sub>1</sub> (mm)	D <sub>2</sub> (mm)	T (mm)	L (mm)
<b>1581020</b>	1"-3/4"	25.4	19.05	1.5	24
<b>15810382</b>	1 1/4"-1"	31.8	25.4	1.5	24
<b>1581038</b>	1 1/2"-1"	38.1	25.4	1.5	24
<b>15810381</b>	1 1/2"-1 1/4"	38.1	31.8	1.5	24
<b>15810511</b>	2"-1"	50.8	25.4	1.5	48.5
<b>15810512</b>	2"-1 1/4"	50.8	31.8	1.5	36.5
<b>1581051</b>	2"-1 1/2"	50.8	38.1	1.5	24
<b>15810632</b>	2 1/2"-1"	63.5	25.4	2	72.8
<b>15810631</b>	2 1/2"-1 1/2"	63.5	38.1	2	48.5
<b>1581063</b>	2 1/2"-2"	63.5	50.8	2	24
<b>15810763</b>	3"-1"	76.1	25.4	2	
<b>15810762</b>	3"-1 1/2"	76.1	38.1	2	72.8
<b>15810761</b>	3"-2"	76.1	50.8	2	48.5
<b>1581076</b>	3"-2 1/2"	76.1	63.5	2	23
<b>15811012</b>	4"-2"	101.6	50.8	2	97
<b>15811011</b>	4"-2 1/2"	101.6	63.5	2	72.8
<b>1581101</b>	4"-3"	101.6	76.1	2	47



Eccentric Reducer Metric

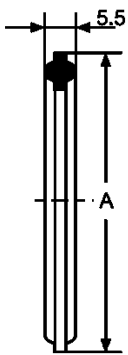
Code 304L	Size	D <sub>1</sub> (mm)	D <sub>2</sub> (mm)	T (mm)	L (mm)
<b>15900502</b>	NW50-25	52-53	28-29	1.5	41
<b>15900501</b>	NW50-32	52-53	34-35	1.5	31
<b>1590050</b>	NW50-40	52-53	40-41	1.5	48
<b>15900651</b>	NW65-40	70	40-41	2	52
<b>1590065</b>	NW65-50	70	52-53	2	31
<b>15900802</b>	NW80-40	85	40-41	2	76-77.5
<b>15900801</b>	NW80-50	85	52-53	2	57
<b>1590080</b>	NW80-65	85	70	2	38
<b>15901002</b>	NW100-50	104	52-53	2	89.5
<b>15901001</b>	NW100-65	104	70	2	58.5
<b>1590100</b>	NW100-80	104	85	2	46

### Tri-clover Fittings



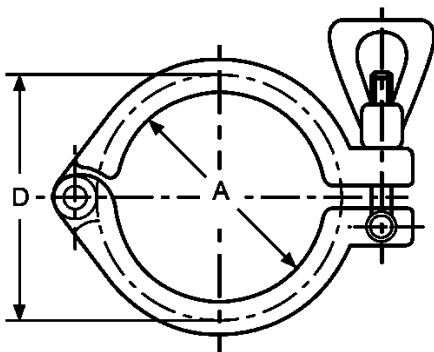
### Tri-clover Ferrule 316

Code	Size	D (mm)	T (mm)	A (mm)	B (mm)	C (mm)	Mass (kg)
<b>1191019</b>	3/4"						
<b>1191025</b>	1"	25.4	1.5	50.5	21.5	43.5	0.05
<b>1191038</b>	1 1/2"	38.1	1.5	50.5	21.5	43.5	0.07
<b>1191051</b>	2"	50.8	1.5	64	21.5	56.5	0.08
<b>1191063</b>	2 1/2"	63.5	2	77.5	21.5	70.5	0.11
<b>1191076</b>	3"	76.1	2	91	21.5	83.5	0.14
<b>1191101</b>	4"	101.6	2	119	21.5	110	0.24



### Tri-clover Gasket EPDM

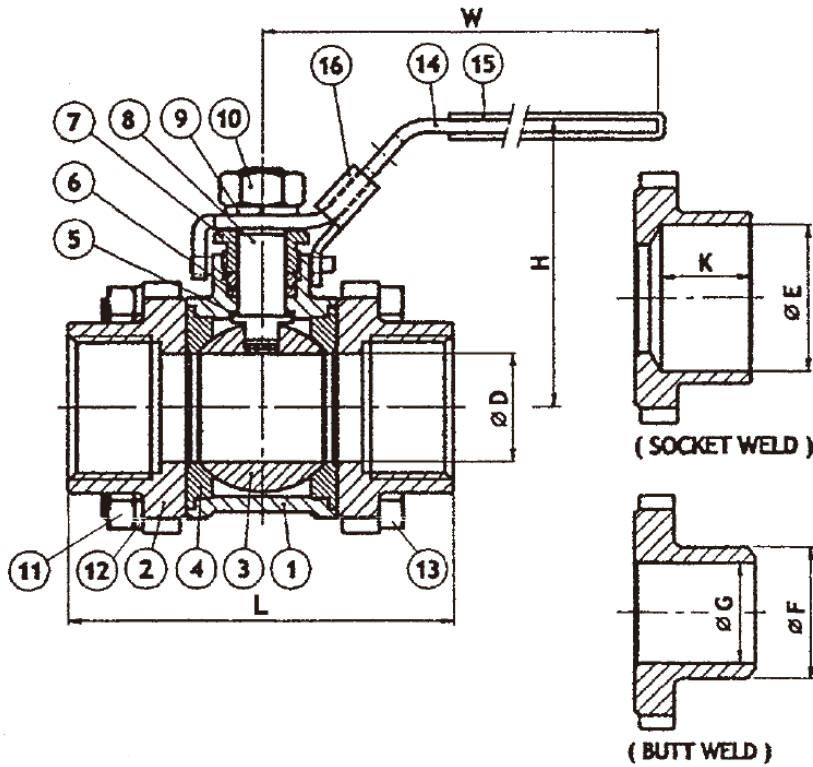
Code	Size	A (mm)	Mass (kg)
<b>1193020</b>	3/4"		
<b>1193025</b>	1"	50.5	0.006
<b>1193038</b>	1 1/2"	50.5	0.008
<b>1193051</b>	2"	64	0.008
<b>1193063</b>	2 1/2"	77.5	0.010
<b>1193076</b>	3"	91	0.013
<b>1193101</b>	4"	119	0.018



### Tri-clover Clamp 304L

Code	Size	D (mm)	A (mm)
<b>1193020</b>	1/2"- 3/4" DN10-20	37	27
<b>1190038</b>	1"-1 1/2" DN25-40	54	43.5
<b>1190051</b>	2" DN50	67	57
<b>1190063</b>	2 1/2"	80.5	70.5
<b>1190076</b>	3"	94	84
<b>1190101</b>	4" DN100	122	112

BSP



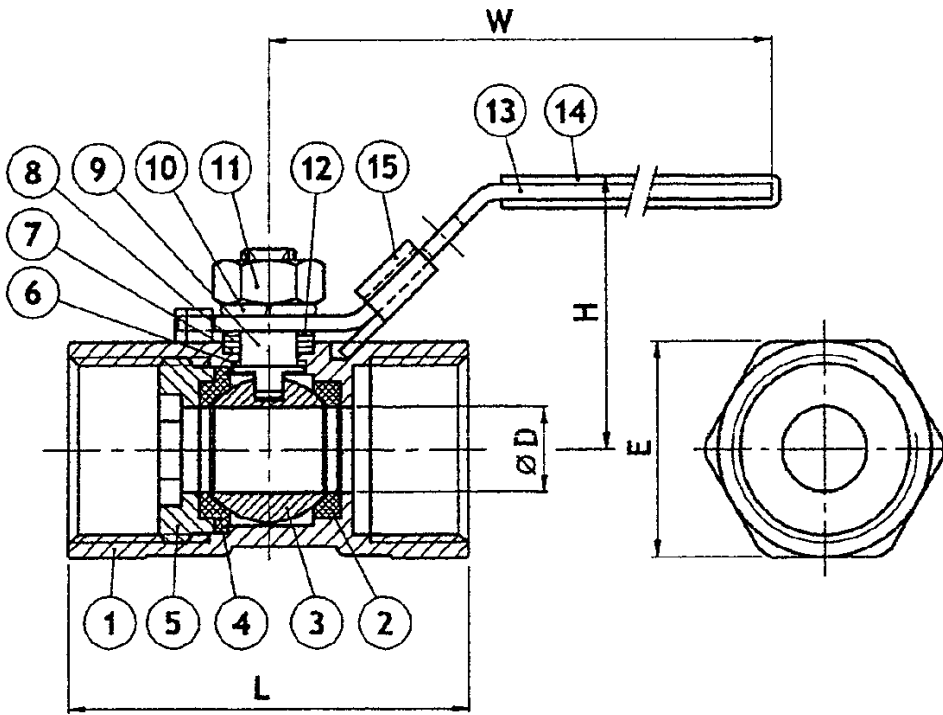
NO.	PART NAME	Q'TY (PC)
1	BODY	1
2	END CAP	2
3	BALL	1
4	SEAT	2
5	THRUST WASHER	1
6	STEM PACKING	2
7	GLAND NUT	1
8	STEM	1
9	STEM WASHER	1
10	STEM NUT	1
11	NUT	4 ; 6
12	SPRING WASHER	4 ; 6
13	BOLT	4 ; 6
14	HANDLE	1
15	HANDLE COVER	1
16	LOCKING DEVICE	1

**316 3-Piece BSP Ball Valve**

Code	Size	ØD (mm)	ØE (mm)	K (mm)	H (mm)	L (mm)	W (mm)
<b>9930006</b>	1/4"	12.8	14.1	14.6	51	59	95
<b>9930009</b>	3/8"	12.8	17.6	14.6	51	59	95
<b>9930012</b>	1/2"	15	21.7	14.7	55	64	95
<b>9930019</b>	3/4"	20	27.1	16.5	59	75	110
<b>9930025</b>	1"	25	33.8	17.7	73	85	135
<b>9930033</b>	1 1/4"	32	42.6	17.8	78	97	135
<b>9930038</b>	1 1/2"	38	48.7	19.2	91	110	165
<b>9930051</b>	2"	50	61.1	22.5	99	132	165
<b>9930063</b>	2 1/2"	65	76.9	29.1	130	167	215
<b>9930076</b>	3"	80	89.8	31.7	142	187	215

**316 3-Piece Buttweld Ball Valve**

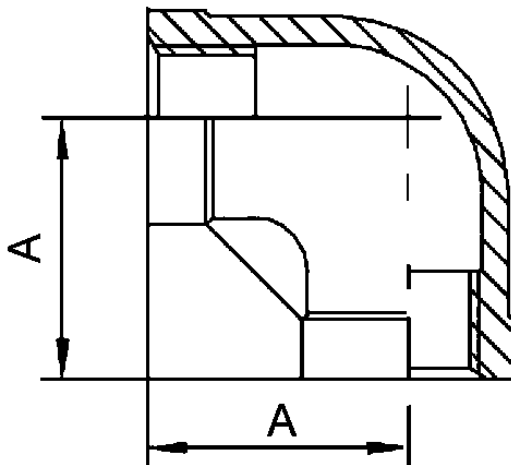
Code	Size	ØD (mm)	ØF (mm)	ØG (mm)	H (mm)	L (mm)	W (mm)
<b>9940006</b>	1/4"	12.8	18	12	51	59	95
<b>9940009</b>	3/8"	12.8	18	14	51	59	95
<b>9930012</b>	1/2"	15	22	17.1	55	64	95
<b>9940019</b>	3/4"	20	27.5	22.5	59	75	110
<b>9940025</b>	1"	25	33.5	28	73	85	135
<b>9940033</b>	1 1/4"	32	44	33.5	78	97	135
<b>9940038</b>	1 1/2"	38	50	43	91	110	165
<b>9940051</b>	2"	50	61.5	53	99	132	165
<b>9940063</b>	2 1/2"	65	76	65	130	167	215
<b>9940076</b>	3"	80	92	80	142	187	215



	NO. PART NAME	Q'TY (PC)
1	BODY	1
2	SEAT	1
3	BALL	1
4	SEAT	1
5	INSERT	1
6	THRUST WASHER	1
7	STEM PACKING	1
8	WASHER	1
9	STEM	1
10	SPRING WASHER	1
11	STEM NUT	1
12	BEVEL WASHER	1
13	HANDLE	1
14	HANDLE COVER	1
15	LOCKING DEVICE	1

**Hexagon BSP Ball Valve 316**

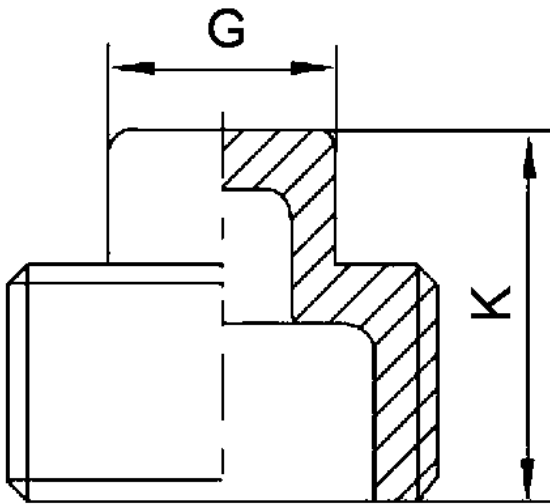
Code	Size	ØD (mm)	E (mm)	H (mm)	L (mm)	W (mm)
<b>9950006</b>	1/4"	5	17	30	39	70
<b>9950009</b>	3/8"	6.8	21	34	44	90
<b>9950012</b>	1/2"	9.2	25	41	56.5	100
<b>9950019</b>	3/4"	12.5	32	4	59	100
<b>9950025</b>	1"	25	38	50	71	110
<b>9950033</b>	1 1/4"	20	48	55	78	110
<b>9950038</b>	1 1/2"	25	53	64	83	135
<b>9950051</b>	2"	32	65	70	100	145



**BSP 900 Elbow 316**

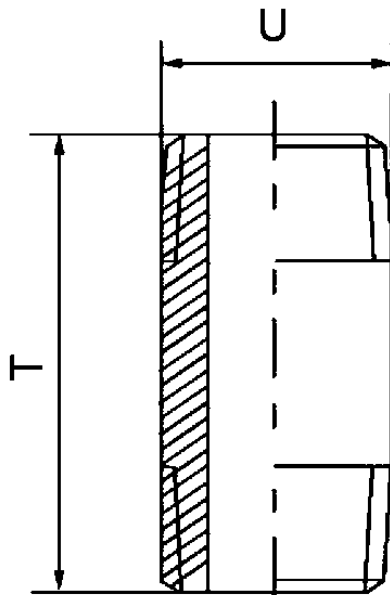
Code	Size	A (mm)
<b>9860003</b>	1/8"	17
<b>9860006</b>	1/4"	19
<b>9860009</b>	3/8"	22
<b>9860012</b>	1/2"	24
<b>9860019</b>	3/4"	27.5
<b>9860025</b>	1"	33
<b>9860033</b>	1 1/4"	40
<b>9860038</b>	1 1/2"	43
<b>9860051</b>	2"	52
<b>9860063</b>	2 1/2"	65
<b>9860076</b>	3"	78





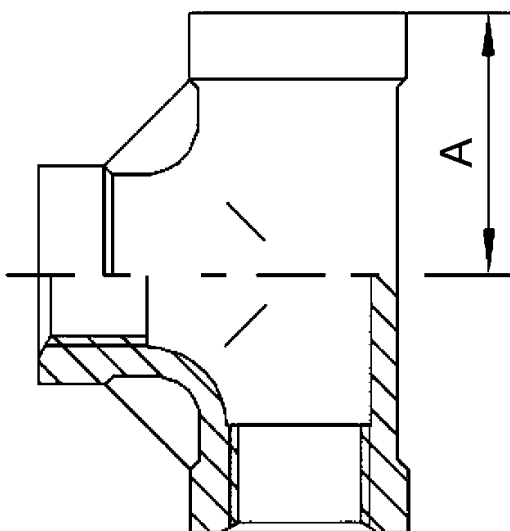
**BSP Square Plug 316**

Code	Size	G (mm)	K (mm)
<b>9900003</b>	1/8"	7	11
<b>9900006</b>	1/4"	9	16
<b>9900009</b>	3/8"	9	15
<b>9900012</b>	1/2"	12	21
<b>9900019</b>	3/4"	16	24
<b>9900025</b>	1"	19	27
<b>9900033</b>	1 1/4"	23	30
<b>9900038</b>	1 1/2"	26	34
<b>9900051</b>	2"	32	38
<b>9900063</b>	2 1/2"	40	44
<b>9900076</b>	3"	45	50



**BSP Barrel Nipple 316**

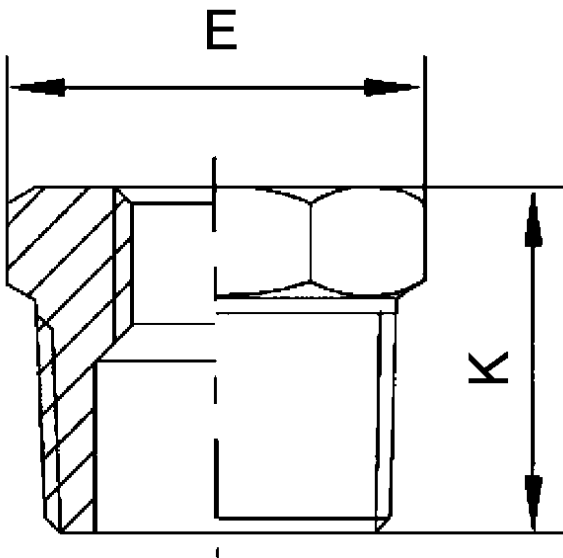
Code	Size	U (mm)	T (mm)
<b>9820003</b>	1/8"	10.2	40
<b>9820006</b>	1/4"	13.7	40
<b>9820009</b>	3/8"	17.2	40
<b>9820012</b>	1/2"	21.3	60
<b>9820019</b>	3/4"	26.7	60
<b>9820025</b>	1"	33.4	60
<b>9820033</b>	1 1/4"	42.2	80
<b>9820038</b>	1 1/2"	48.3	80
<b>9820051</b>	2"	60.3	100
<b>9820063</b>	2 1/2"	76.2	100
<b>9820076</b>	3"	88.9	120
<b>9820101</b>	4"	114.3	120



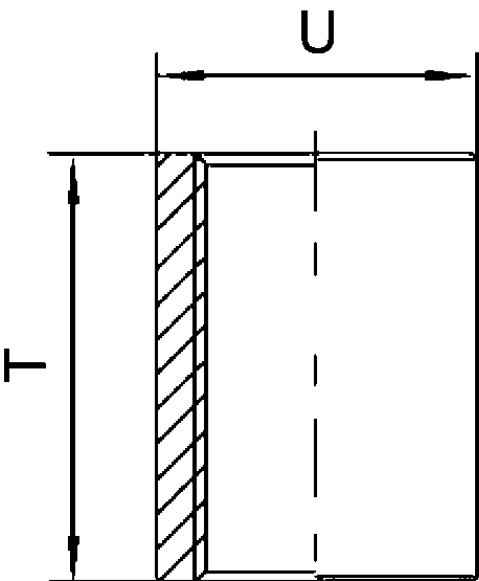
**BSP TEE 316**

Code	Size	A (mm)
<b>9870003</b>	1/8"	17
<b>9870006</b>	1/4"	19
<b>9870009</b>	3/8"	22
<b>9870012</b>	1/2"	24
<b>9870019</b>	3/4"	27.5
<b>9870025</b>	1"	33
<b>9870033</b>	1 1/4"	40
<b>9870038</b>	1 1/2"	43
<b>9870051</b>	2"	52
<b>9870063</b>	2 1/2"	65
<b>9870076</b>	3"	78

**BSP Reducing Bush 316**

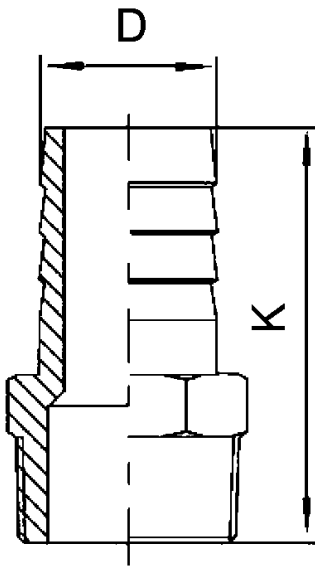


Code	Size	E (mm)	K (mm)
<b>9910021</b>	1/8" - 1/4"	14.4	16.5
<b>9910031</b>	1/8" - 3/8"	18	17
<b>9910032</b>	1/4" - 3/8"	18	17
<b>9910042</b>	1/4" - 1/2"	21.5	20
<b>9910052</b>	1/4" - 3/4"	27.5	23.5
<b>9910043</b>	3/8" - 1/2"	21.5	20
<b>9910051</b>	3/8" - 3/4"	27.7	23.5
<b>9910060</b>	3/8" - 1"	34.5	25
<b>9910054</b>	1/2" - 3/4"	27.5	23.5
<b>9910064</b>	1/2" - 1"	34.5	25
<b>9910065</b>	3/4" - 1"	34.5	25
<b>9910085</b>	3/4" - 1 1/2"	49	23.5
<b>9910076</b>	1" - 1 1/4"	43.5	28.5
<b>9910086</b>	1" - 1 1/2"	49	23.5
<b>9910106</b>	1" - 2"	62	33.5
<b>9910087</b>	1 1/4" - 1 1/2"	49	29
<b>9910107</b>	1 1/4" - 2"	62	33.5
<b>9910108</b>	1 1/2" - 2"	62	33.5
<b>9910109</b>	2" - 3"	90	42.5
<b>9910110</b>	2 1/2" - 3"	90	42.5



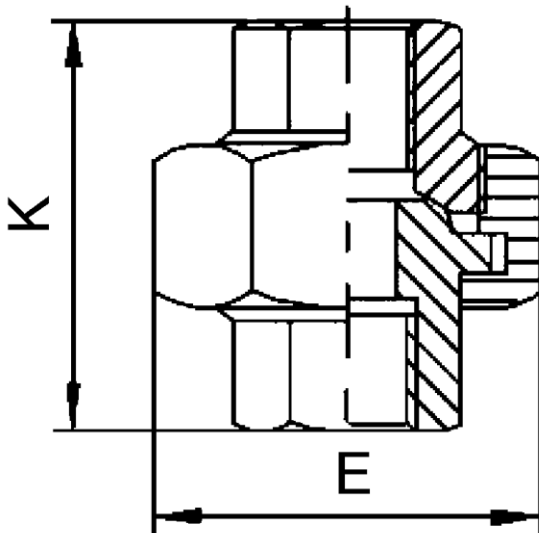
**BSP Socket 316**

Code	Size	U (mm)	T (mm)
<b>9800003</b>	1/8"	15	18
<b>9800006</b>	1/4"	18	25
<b>9800009</b>	3/8"	21	26
<b>9800012</b>	1/2"	25	33
<b>9800019</b>	3/4"	30.5	35
<b>9800025</b>	1"	37	42
<b>9800033</b>	1 1/4"	46.5	45
<b>9800038</b>	1 1/2"	52.5	45
<b>9800051</b>	2"	65.1	54.5
<b>9800063</b>	2 1/2"	81.5	65
<b>9800076</b>	3"	95	70
<b>9800101</b>	4"	122	81



**BSP Swage Nipple 316**

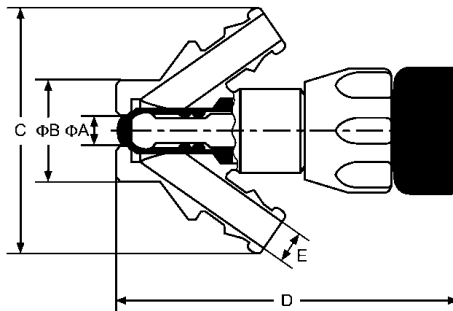
Code	Size	D (mm)	K (mm)
<b>9960003</b>	1/8"	7	36
<b>9960006</b>	1/4"	9	41
<b>9960009</b>	3/8"	11	42.5
<b>9960012</b>	1/2"	12.7	51.1
<b>9960019</b>	3/4"	19	57.3
<b>9960025</b>	1"	25.4	63.5
<b>9960033</b>	1 1/4"	31.8	66.1
<b>9960038</b>	1 1/2"	38.1	78
<b>9960051</b>	2"	50.8	87



**BSP Union 316**

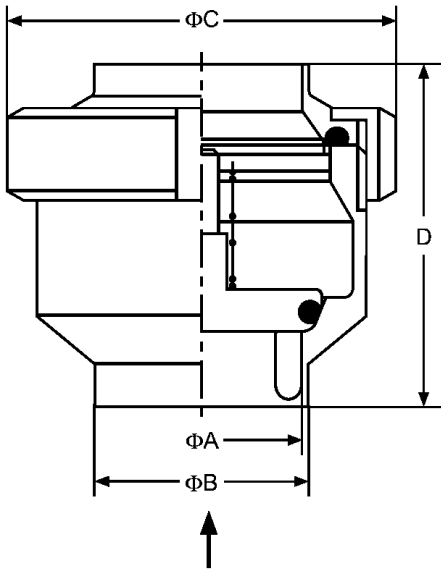
Code	Size	K (mm)	E (mm)
<b>9880003</b>	1/8"	30	26.5
<b>9880006</b>	1/4"	30	26.5
<b>9880009</b>	3/8"	32.5	31
<b>9880012</b>	1/2"	38	35
<b>9880019</b>	3/4"	40	43
<b>9880025</b>	1"	49	50
<b>9880033</b>	1 1/4"	50	60.5
<b>9880038</b>	1 1/2"	56	67
<b>9880051</b>	2"	62	81
<b>9880063</b>	2 1/2"	68	104.5
<b>9880076</b>	3"	77	121.5

SAVATI VALVES



SAVATI Aseptic Sample Valve Weld-On 316

Code	Size	ØA (mm)	ØB (mm)	C (mm)	D (mm)	E (mm)	Mass (kg)
<b>K601025</b>	NW25	8	28	68	90	9	0.48



SAVATI Non-Return Valves Weld-On 316

Code	Size	ØA	ØB	ØC	D
7402025	NW25	25	28	63	70
7402032	NW32	31	34	78	75
7402040	NW40	37	40	78	75
7402050	NW50	49	52	92	85
7402065	NW65	66	70	112	95
7402080	NW80	81	85	148	115
7402100	NW100	100	104	178	150
7401025	1"	22.4	25.4	63	70
7401038	1½"	35	38	78	75
7401051	2"	48	51	92	80
7401063	2½"	59.5	63.5	112	90
7401076	3"	72.1	76.1	127	100
7401101	4"	97.6	101.6	178	150



SAVATI Sample Cock

Code	Size
<b>K6016014</b>	NW20
<b>K6016013</b>	½"



SAVATI Gauge Cock TOP

Code	Size
<b>K6015312</b>	½"

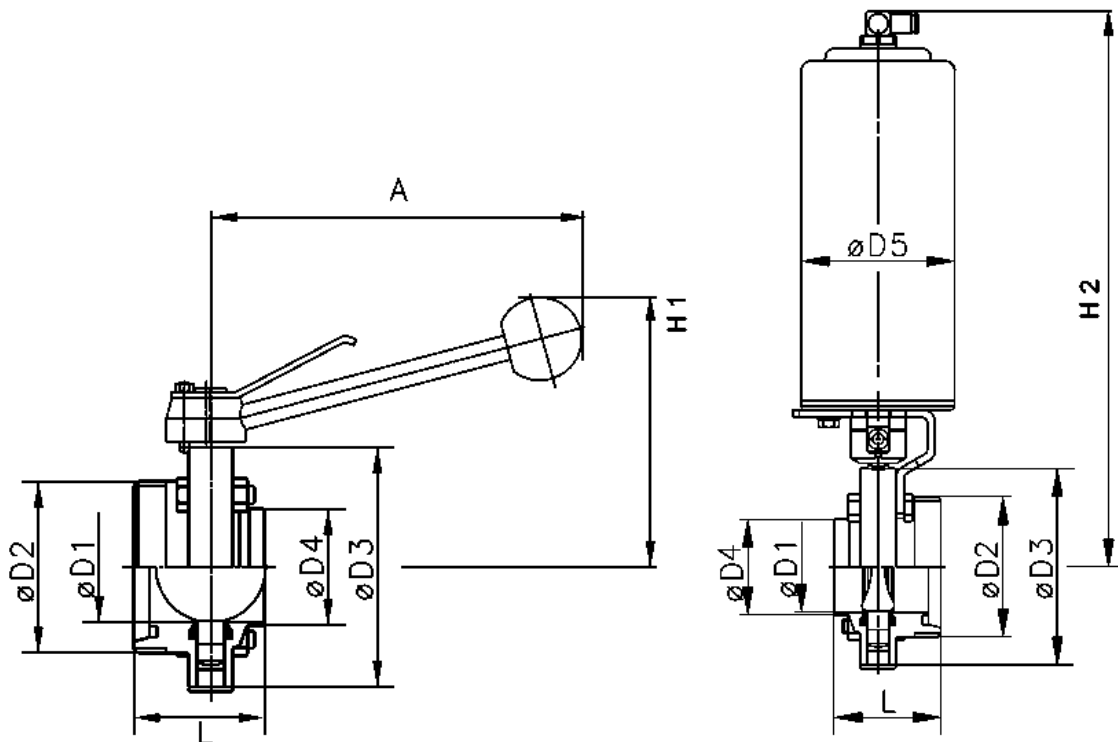


SAVATI Gauge Cock Bottom

Code	Size
<b>K6015414</b>	NW20
<b>K6016015</b>	¾"
<b>K6015412</b>	½"

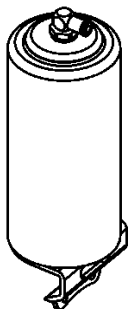


## SÜDMO VALVES



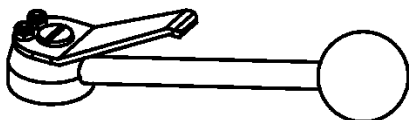
### Südmö Butterfly Valves Male Weld-On

Code	Size	ØD1	ØD2	ØD3	ØD5	A	H1	H2	L	kg	
<b>304</b>	<b>316</b>										
	<b>5856020</b>	NW20	20	Rd 52 x 1/6"	70	88	150	96	276	60	0.9 / 4.5
<b>5850025</b>	<b>5856025</b>	NW25	26	Rd 44 x 1/6"	84	88	150	103	283	60	1.2 / 4.7
<b>5850032</b>	<b>5856032</b>	NW32	32	Rd 58 x 1/6"	90	88	150	106	286	60	1.3 / 4.8
<b>5850040</b>	<b>5856040</b>	NW40	38	Rd 65 x 1/6"	96	88	150	109	289	60	1.4 / 4.9
<b>5850050</b>	<b>5856050</b>	NW50	50	Rd 78 x 1/6"	109	88	177	126	296	60	1.6 / 5.2
<b>5860065</b>	<b>5856065</b>	NW65	66	Rd 95 x 1/6"	126	88	177	135	304	62	2.1 / 5.7
<b>5850080</b>	<b>5856080</b>	NW80	81	Rd 110 x 1/4"	141	88	177	142	312	85	2.6 / 6.1
<b>5850100</b>	<b>5856100</b>	NW100	100	Rd 130 x 1/4"	161	88	177	152	323	85	3.2 / 6.8
	<b>5856125</b>	NW125	125	Rd 160 x 1/4"	200	127	220	180	392	114	



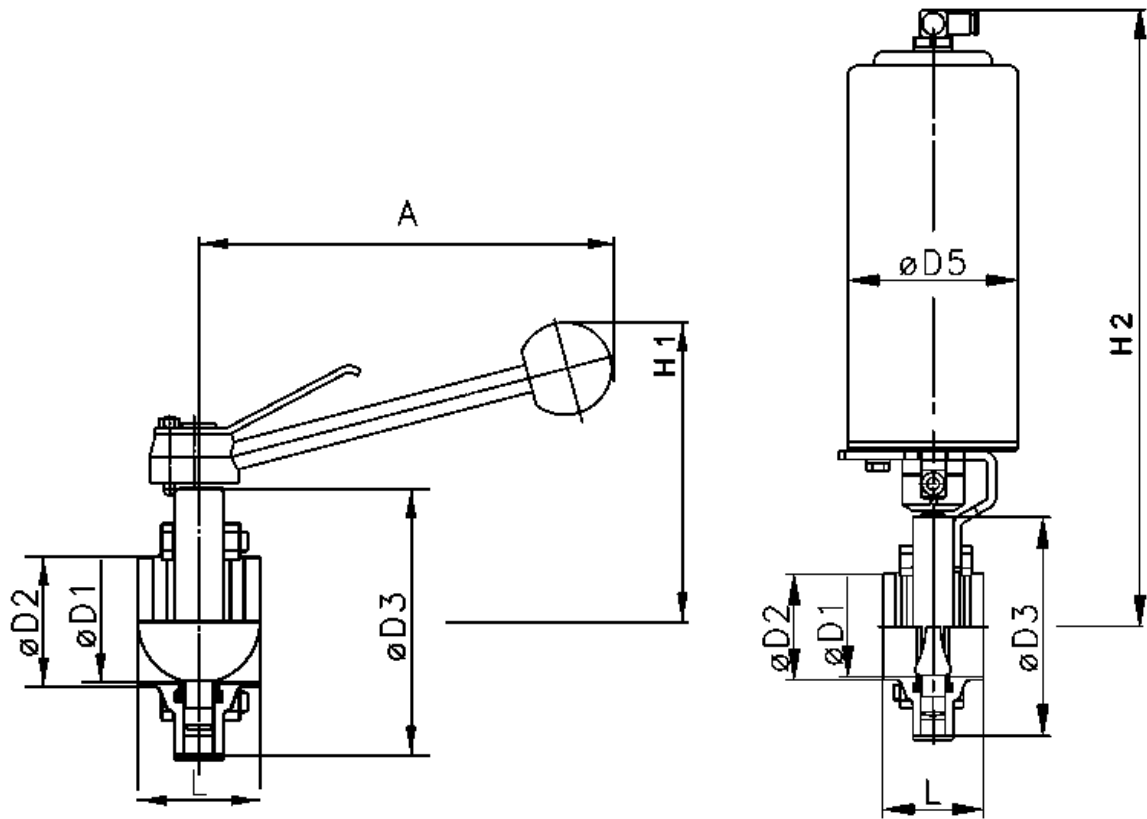
### Südmö Actuator

Code	Size
<b>6600001</b>	NW25-40
<b>6600002</b>	NW50-100
<b>6600003</b>	NW100-150



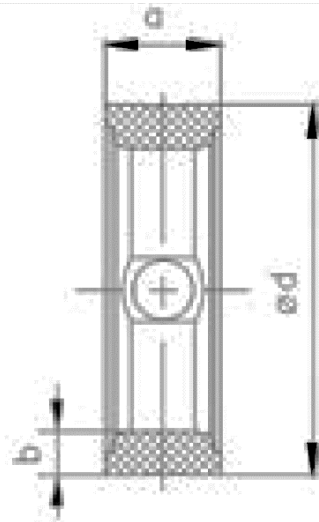
### Südmö Handle

Code	Size
<b>M-B2065</b>	NW10-40
<b>M-B2066</b>	NW50-100
<b>M-B3125</b>	NW100-150



Südmö Butterfly Valves Weld-On

Code 304	Code 316	Size	ØD1	ØD2	ØD3	ØD5	A	H1	H2	L	kg
	<b>5826015</b>	NW15	16	19	62.5	88	150	92	273	50	0.7 / 4.3
<b>58200</b>	<b>5826020</b>	NW20	20	23	70	88	150	96	276	50	0.9 / 4.5
<b>5820025</b>	<b>5826025</b>	NW25	26	29	84	88	150	103	283	50	1.2 / 4.7
<b>5820032</b>	<b>5826032</b>	NW32	32	35	90	88	150	106	286	50	1.3 / 4.8
<b>5820040</b>	<b>5826040</b>	NW40	38	41	96	88	150	109	289	50	1.4 / 4.9
<b>5820050</b>	<b>5826050</b>	NW50	50	53	109	88	177	126	296	50	1.6 / 5.2
<b>5820065</b>	<b>5826065</b>	NW65	66	70	126	88	177	135	304	50	2.1 / 5.7
<b>5820080</b>	<b>5826080</b>	NW80	81	85	141	88	177	142	312	85	2.6 / 6.1
<b>5820100</b>	<b>5826100</b>	NW100	100	104	161	88	177	152	323	85	3.2 / 6.8
	<b>5826125</b>	NW125	125	129	200	127	220	180	392	114	
<b>5820050</b>	<b>5826150</b>	NW150	150	154	230	127	220	195	407	124	
<b>5820026</b>	<b>5826026</b>	1"	22.1	25.4	84	88	150	103	283	50	1.3 / 4.8
<b>5820038</b>	<b>5826038</b>	1.5"	34.8	38.1	96	88	150	109	289	50	1.5 / 5.0
<b>5820051</b>	<b>5826051</b>	2"	47.5	50.8	109	88	177	126	296	50	1.7 / 5.3
<b>5820063</b>	<b>5826063</b>	2.5"	60.2	63.5	126	88	177	135	304	50	2.2 / 5.8
<b>5820076</b>	<b>5826076</b>	3"	72.9	76.2	141	88	177	142	312	85	2.7 / 6.2
<b>5820101</b>	<b>5826101</b>	4"	97.4	101.6	161	88	177	152	323	85	3.3 / 6.9

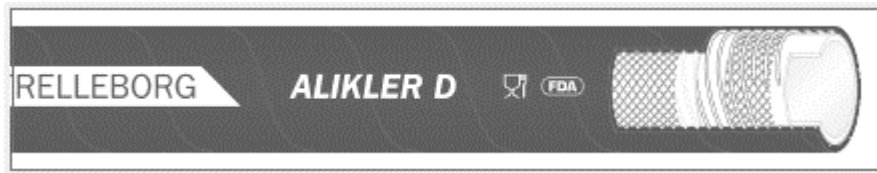


Südmö Butterfly Valve Seals

Code		Size	a (mm)	b (mm)	Ød (mm)
EPDM	Silicon				
<b>M-GE025</b>	M-GS025	NW25	18.8	7.3	39.9
<b>M-GE032</b>	M-GS032	NW32	18.7	7.4	45.3
<b>M-GE040</b>	M-GS040	NW40	19	8	52.7
<b>M-GE050</b>	M-GS050	NW50	20.1	7.8	65
<b>M-GE065</b>	M-GS065	NW65	23.3	8.3	82.5
<b>M-GE080</b>	M-GS080	NW80	26.0	9.1	98
<b>M-GE100</b>	M-GS100	NW100	27.1	8.2	117.3
<b>M-GE125</b>	M-GS125	NW125	40.3	12.8	150.3
<b>M-GE150</b>	M-GS150	NW150	40.3	13.1	176
<b>M-GE026</b>	M-GS026	1"	16.4	9	40
<b>M-GE038</b>	M-GS038	1.5"	18.8	7.9	51.5
<b>M-GE051</b>	M-GS051	2"	20.8	8.5	64
<b>M-GE063</b>	M-GS063	2.5"	22.3	9.8	79.8
<b>M-GE076</b>	M-GS076	3"	23.1	8.8	89.4
<b>M-GE101</b>	M-GS101	4"	25.3	9.9	115.9

## Trelleborg Hoses

### ALIKLER D



#### Applications

High pressure discharge of liquid foods-tuffs such as milk, beer, oil, fat, wine, cider, fruit juice and alcohol up to 96 %.  
 Suction on unloading bays in dairies.  
 Equipment of processing and filling plants, and liquid foodstuff tankers.

#### Advantages

- Smooth, seamless, white, multipurpose food grade tube that does not propagate bacterial growth.
- Able to recover its shape after accidental squeeze.
- Changes in temperature have little effect due to the qualities of the rubber compound.
- Resistant to cleaning with detergents at temperatures up to 130 °C (during several minutes).
- Non-marking, abrasion resistant cover.
- Contains no phthalate.

#### Technical description

**Inner tube:** food grade oil resistant NBR, white, smooth.  
**Reinforcement:** synthetic textile with embedded PET helix for ID ≥ 50 mm.  
**Cover:** oil and weather resistant NBR/PVC, blue, fabric impression.  
**Temperature range:** - 30 °C to + 100 °C.

#### Standard/Approval:

EU regulations n° 1935/2004 and 2023/2006.  
 FDA regulation 21 CFR 177.2600.

German legislation: BfR recommendation XXI cat. 2.  
 French legislation.

All relevant migrations tests (France and FDA) were performed and confirmed compliant by the French institute of Poitiers (IANESCO).

#### Couplings/Fittings

Specially designed fittings are available, please contact us for further information in order to get optimum connections.

### ALIKLER D Hose

Code	Size	OD (mm)	ID (mm)	Working Pressure (bar)	Bursting Pressure (bar)	Maximum Vacuum (bar)	Bending Radius (mm)	Mass (kg)
<b>T1.5</b>	1½"	51	38	15	40	0.7	265	1.2
<b>T2</b>	2"	66	50	15	40	0.7	300	1.97
<b>T2.5</b>	2½"	79	63	15	40	0.7	450	2.38
<b>T3</b>	3"	91	75	15	40	0.7	525	2.85
<b>T4</b>	4"	117	100	15	40	0.7	700	3.81



